

## LD151-E3

In-Ground LED Uplighter



Install sheet - Page 1

### SPECIFICATION

LED recessed luminaires are class III for Safety Extra Low Voltage supply **350mA** to **700mA** constant current supply.

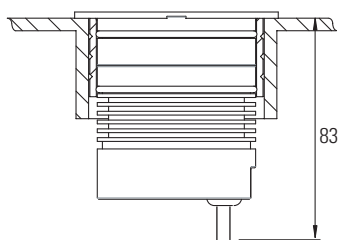
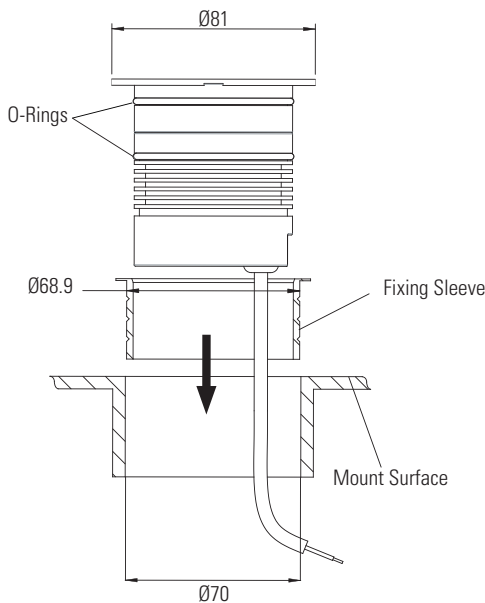
**Suitable for mounting on normally flammable surfaces.**

Lamp: **E3 LED Engine.**

This fitting is **IP67** rated.

Lumen Maintenance: L90B5 at 90,000hrs.

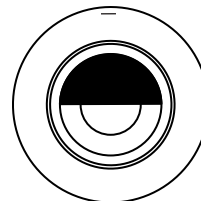
LD151 - E3	
Product & LED Output Code	Power Output
LD151-E3 - 350	350mA 5W
LD151-E3 - 500	500mA 7W
LD151-E3 - 700	700mA 10W



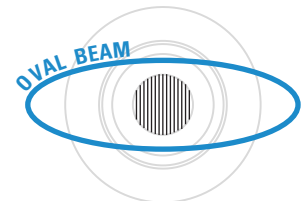
### INSTALLATION

1. Bore clearance holes accurately to suit dimensions below.
2. Bond in first fix sleeve into cut out with one of the recommended adhesives; Rotabond 2000, 3M 4200 Marine Adhesive or Simson MSR Construction Adhesive.
3. Wire the luminaire to a specified driver.  
**NOTE: Connections in wet environments. Make IP68 connection to stop water travelling up the cables into the fittings! Refer to IP connection sheet for further details.**
4. Make sure the inside of the fixing sleeve and the outside of the luminaire is free from grit and dirt.
5. To aid with future maintenance, O-rings must be coated lightly with silicone free grease. Failure to do so could hamper removal and cause damage to concrete can.
6. Install fitting by pushing it into the sleeve.
7. Check the orientation of the fitting. Please refer to the diagram below for the details about the correct orientation for the luminaire.

**/GS**  
Glare Shield



**/OB**  
Oval Beam Orientation



Wall/Lit Surface

### SEE CONSTANT CURRENT WIRING SHEET FOR IN SERIES WIRING DIAGRAM

#### WIRING

Do not power up until fitting is wired correctly! Constant current LEDs must be wired in series, polarity is critical. Please refer to specified driver sheet for details on the minimum and maximum number of LEDs per circuit.

#### IMPORTANT

Make sure that all cables and connections are securely connected before switching on the power. Do not switch on the power source prior to making these connections as this will result in the LEDs being overvolted, which can lead to failure of the LEDs and/or the driver. If the LEDs do not work upon power up, turn off the power source immediately and check the polarity of the wiring.

#### MAINTENANCE

**CABLE:** The external flexible cable shall only be replaced by the manufacturer if the cable is damaged.  
**LAMPS:** The light source contained in this luminaire shall only be replaced by the manufacturer. Please clean with soft cloth and avoid harsh cleaning chemicals.

CORE COLOUR & POLARITY		
Colour of Cable	Red	Black
Materials	+	-

## LD151-E3 /484N OR 484N-2

In-Ground LED Uplighter



Install sheet - Page 2

### SPECIFICATION

LED recessed luminaires are class III for Safety Extra Low Voltage supply **350mA** to **700mA** constant current supply.

**Suitable for mounting on normally flammable surfaces.**

Lamp: **E3 LED Engine.**

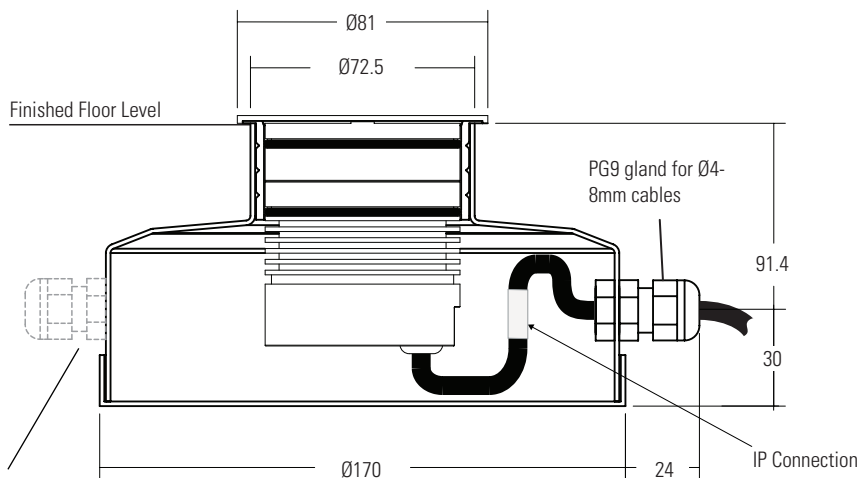
This fitting is **IP67** rated.

Lumen Maintenance: L90B5 at 90,000hrs.

LD151 - E3	
Product & LED Output Code	Power Output
LD151-E3 - 350	350mA 5W
LD151-E3 - 500	500mA 7W
LD151-E3 - 700	700mA 10W

### INSTALLATION

1. Remove luminaire from concrete housing.
2. Place housing in desired location and feed power cable through the gland and tighten. Allow enough excess cable for the connection required to the fitting, and to allow for the fitting to be removed from its housing.
3. These cans are designed to be used primarily within concrete. They can be used in areas with loose / soft substrate but they must only be used within concrete for load bearing applications. Failure to do so, will cause structural and IP failure.
4. Wire the luminaire to a specified driver.  
**NOTE: Connections in wet environments. Make IP68 connection to stop water travelling up the cables into the fittings! Refer to IP connection sheet for further details.**
5. Make sure the inside of the fixing sleeve and the outside of the luminaire is free from grit and dirt.
6. To aid with future maintenance, O-rings must be coated lightly with silicone free grease. Failure to do so could hamper removal and cause damage to concrete can.
7. Install fitting by pushing it into the sleeve.
8. Check the orientation of the fitting. Please refer to the diagram below for the details about the correct orientation for the luminaire.



Second PG9 gland for Ø4-8mm cables ONLY for 484N-2

## LD151-E3 /484N OR 484N-2 /ID

In-Ground LED Uplighter



Install sheet - Page 3

### SPECIFICATION

LED recessed luminaires are class III for Safety Extra Low Voltage supply **350mA** or **500mA** constant current supply.

**Suitable for mounting on normally flammable surfaces.**

Lamp: **E3 LED Engine.**

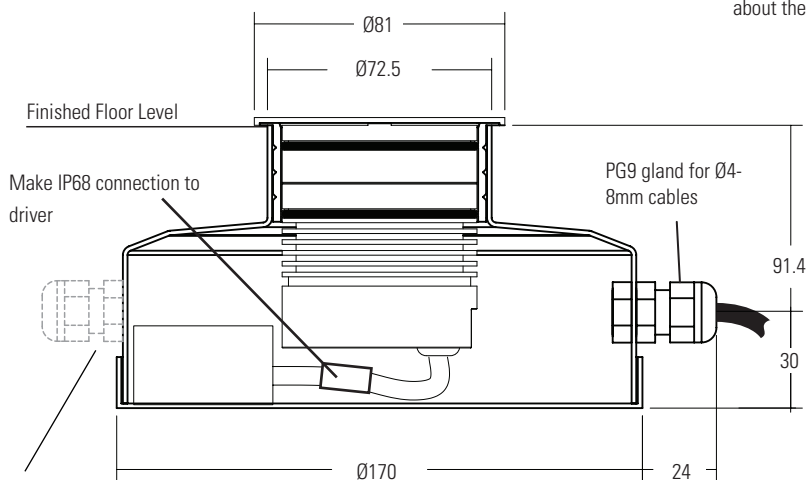
This fitting is **IP67** rated.

Lumen Maintenance: L90B5 at 90,000hrs.

LD151 - E3	
Product & LED Output Code	Power Output
LD151-E3 - 350	350mA 5W
LD151-E3 - 500	500mA 7W

### INSTALLATION

1. Remove luminaire from concrete housing.
2. Place housing in desired location and feed power cable through the gland and tighten. Allow enough excess cable for the connection required to the fitting, and to allow for the fitting to be removed from its housing.
3. These cans are designed to be used primarily within concrete. Make sure not to go above finished floor level. They can be used in areas with loose / soft substrate but they must only be used within concrete for load bearing applications. Failure to do so, will cause structural and IP failure.
4. Connect luminaire to the specified driver. If locating IP rated driver in can, connections must be IP68. See driver sheet for connection details.  
**NOTE: Connections in wet environments. Make IP68 connection to stop water travelling up the cables into the fittings! Refer to IP connection sheet for further details.**
5. Make sure the inside of the fixing sleeve and the outside of the luminaire is free from grit and dirt.
6. To aid with future maintenance, O-rings must be coated lightly with silicone free grease. Failure to do so could hamper removal and cause damage to concrete can.
7. Install fitting by pushing it into the sleeve.
8. Check the orientation of the fitting. Please refer to the diagram below for the details about the correct orientation for the luminaire.



Second PG9 gland for  
Ø4-8mm cables ONLY for  
484N-2